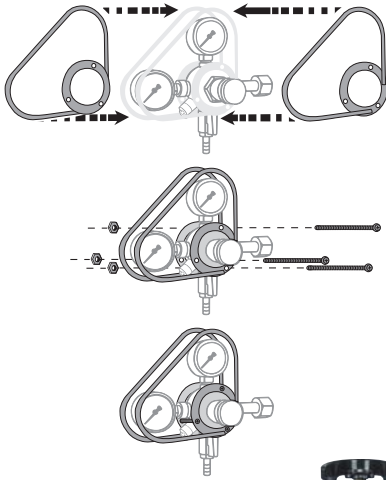


JE-742GCN
INSTALLATION GUIDE



GAUGE CAGE

Protect your investment with a gauge cage.

PART NO.	DESCRIPTION
MM-12593	Complete kit – primary regulator gauge protector, Economy and Premium Plus, 1 piece
JE-742GCN	Complete kit – primary regulator gauge protector, Economy and Premium Plus, 2 piece



JE-742GCN
(Shown on 842-PP)



MM-12593



MM-12593
(Shown on 842)

CYLINDERS

All CO₂ cylinders can be shipped by UPS. 20 lb cylinders come complete with valve protector and carrying handle. All cylinders ship empty.



5LBCH-1989

430A-5E

430A-20E

PART NO.	TYPE	CAPACITY	DIAMETER	HEIGHT	EMPTY WEIGHT
430A-5E	Aluminum	5 lbs	5"	17-1/2"	12 1/2 lbs
430A-10E	Aluminum	10 lbs	7"	20"	15 lbs
430A-15E	Aluminum	15 lbs	6-1/2"	26"	22 lbs
430A-20E	Aluminum	20 lbs	8"	27-1/2"	24 3/4 lbs
5LBCH-1989		5 lb cylinder holder			

CYLINDER CHANGEOVER

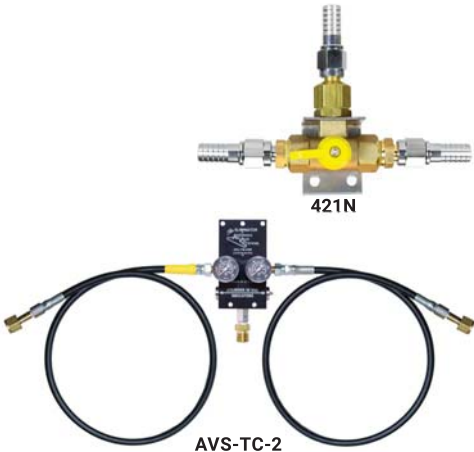
MANUAL

PART NO.	DESCRIPTION
421N	Integrated wall mount bracket, 5/16" O.D. barb fitting Simple to operate – flip switch to full tank, replace empty tank when convenient

AUTOMATIC

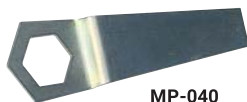
Automatic gas cylinder changeover system. Non-electric, foolproof and designed for easy installation and everlasting performance. Never run out of gas again. This patented system will eliminate unnecessary gas service calls to simply change a tank. Avoid employees performing cylinder changeouts.

PART NO.	DESCRIPTION
AVS-TC-2	For CO ₂ cylinders
AVS-TC-2-N2	For nitrogen cylinders



421N

AVS-TC-2



MP-040



MPW-6



NA-1

TOOLS

WRENCH

PART NO.	DESCRIPTION
MP-040	Tank mount wrench, 1" x 1/4" NPT
MPW-6	6-in-1 combination tool: screwdriver, faucet wrench, regulator connection nut, regulator pressure locknut wrench, coupling nut and probe holders

CYLINDER ADAPTER

PART NO.	DESCRIPTION
NA-1	CO ₂ regulator to nitrogen